

Tracer Air™ LTТА

NON-CONTACT RADAR LEVEL TRANSMITTER



DESCRIPTION

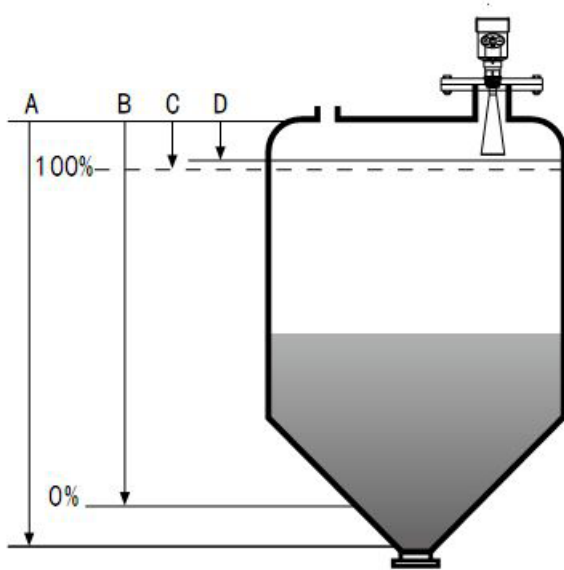
The Tracer Air™ Radar Level Transmitter is accurate, easy to use and cost efficient. Featuring through the air technology, the radar level antenna emits narrow microwave pulses that transmit down the antenna. The signal comes into contact with the application surface then reflects back to the device. The Tracer Air™ is pre-calibrated at our facility for easy installation. Some typical applications include corrosive or non-corrosive liquid level monitoring, small tank or process vessel, bulk tote tanks and difficult measurement applications.

FEATURES & BENEFITS

- Small antenna size, non-contact radar, rugged design
- Pre-calibrated for easy installation and setup
- No moving parts
- Measures solids or liquids
- Cost 20 to 30% less on average than other brands
- Ideal for difficult level measurement applications such as vapor, steam, pressure, change of temperature, dust and foam.
- High SNR, even in the case of fluctuations results in accurate performance
- High frequency, the best choice to measure solids and low dielectric media
- HART® 2-Wire System
- Intrinsically Safe (Exia IIC T6 Ga)
- Economically Priced

TECHNOLOGY

The Tracer Air™ radar level transmitter features through the air technology which emits narrow microwave pulses down the cone shaped antenna. The microwave signal comes in contact with the measured medium surface and reflects back to the antenna. The signal is transmitted to the electronic circuit and partly converts to level signals (as microwave featured with high propagation speed, it is almost instantaneous for the electromagnetic waves to reach the target and return to the receiver).



A	Measuring Range Setting
B	Minimum Adjustment
C	Maximum Adjustment
D	Near Blanking

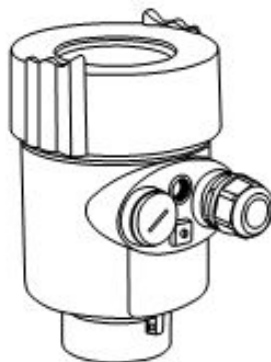
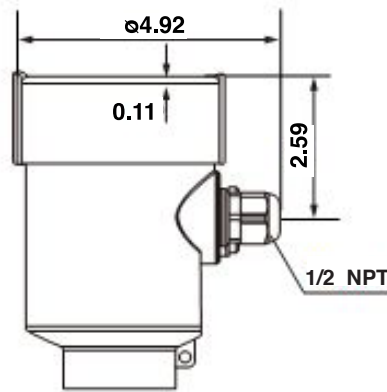
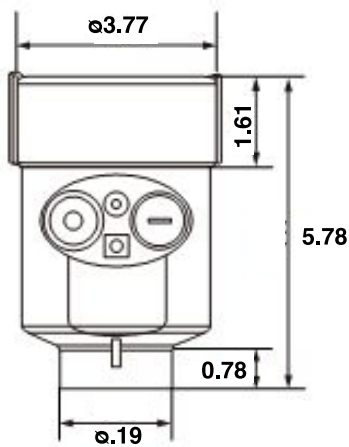
Note: When applying the radar level transmitter, make sure that the highest material level cannot reach the measurement blind spot (D).

SPECIFICATIONS

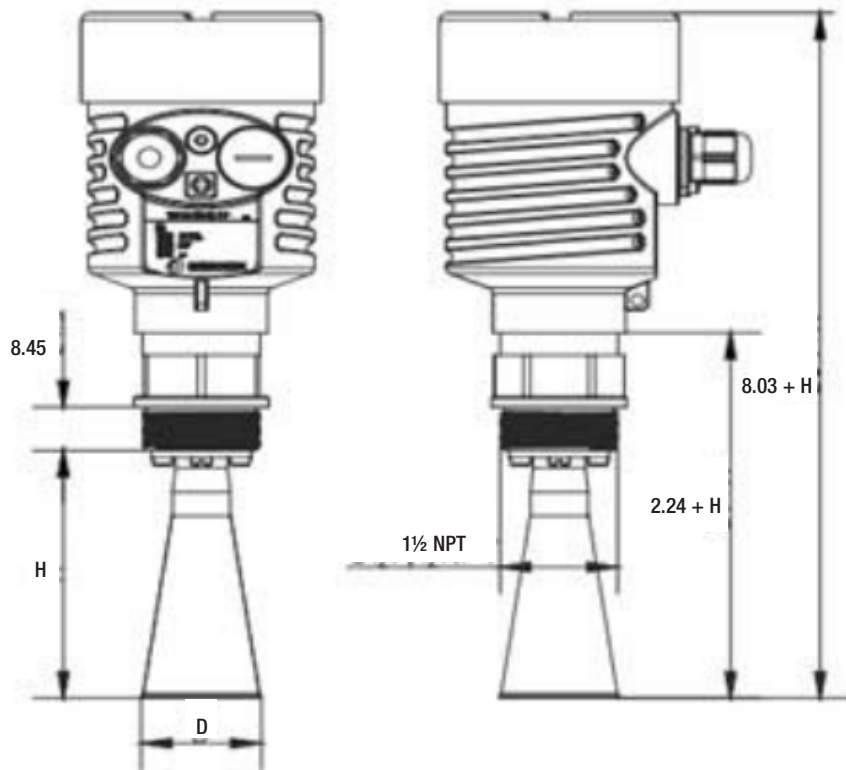
Measuring Range	SS 304: 98 feet (30 meters) PTFE: 65 feet (20 meters)	Process Pressure	-0.1 ~ 4.0 Mpa
Process Connection	1½ NPT	Frequency Range	26GHz
Antenna Material	SS 304 or PTFE	Signal Output	4-20mA / HART@(Two-wire / Four) RS485/ Modbus
Accuracy	±0.1in	Cable Entry	1/2 NPT
Application Temperature	-40°F to 482°F (-40°C to 250°C)	Hazardous Location	Intrinsically safe (Exia IIC T6 Ga)

Specifications are subject to change without notice.

ENCLOSURE DIMENSIONS

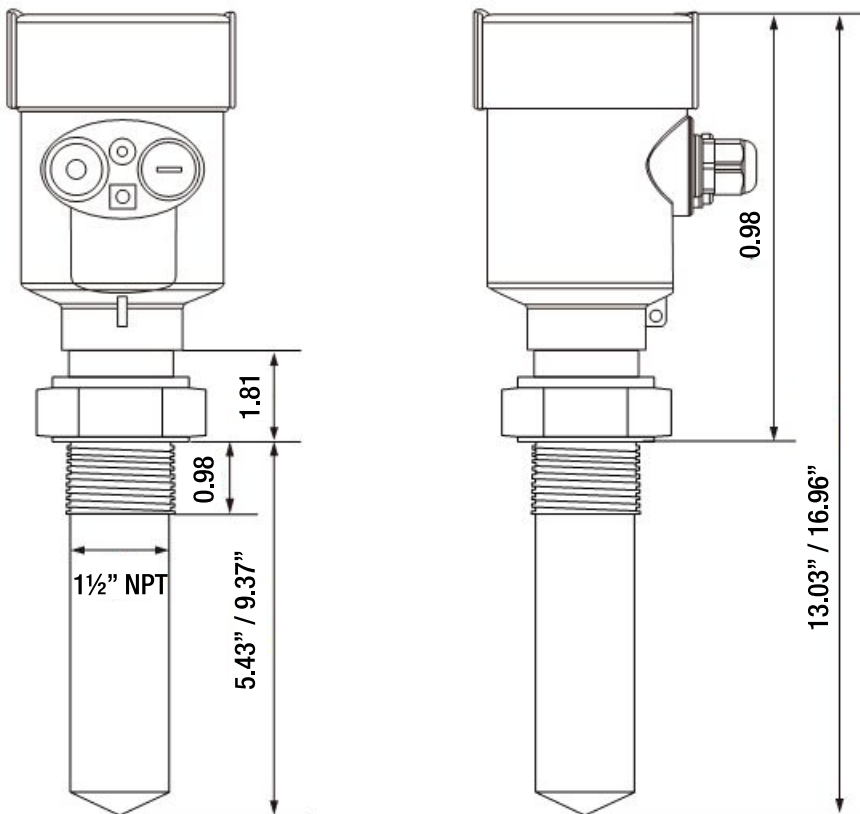


STAINLESS STEEL 304 ANTENNA DIMENSIONS (IN)



FLANGE	D: Horn Mouth Diameter	H: Horn Height
F2	1.81	5.51
F3	2.99	8.93
F4	3.77	11.33

PTFE ANTENNA DIMENSIONS (IN)



Ordering Information

FLO-CORP MODEL NUMBER BUILDER

For Assistance Call **877.356.5463**

Use the diagram below, working from left to right to construct your FLO-CORP Model Number.
Simply match the category number to the corresponding box number.

Example: **LTTA-S-N1-3-2-SN**

Tracer Air™ Radar Level Transmitter with Stainless Steel 304 Horn Material, 1½" NPT Process Connection, 1.81" Horn Diameter, HART Communication with Stainless Steel housing and 1/2 NPT Cable Entry

LTTA — — — — —

LTTA —

Horn Material (1)

- P) PTFE (up to 65ft range)
- S) Stainless Steel 304 (up to 98ft range)

Process Connection (2)

- N1) 1½" Threaded NPT
- G1) 1½" Threaded G
- F2) ANSI 150lb 2" Flanged
- F3) ANSI 150lb 3" Flanged
- F4) ANSI 150lb 4" Flanged
- F5) ANSI 300lb 2" Flanged
- F8) ANSI 300lb 3" Flanged
- F10) ANSI 300lb 4" Flanged
- S1) Swivel Flange, 7.71" Horn Diameter, 8" Flange
- SX) Special Custom

Antenna Horn Length / Diameter

- 1) 3.93" (100mm) *(PTFE ONLY)*
- 2) 7.87" (200mm) *(PTFE ONLY)*
- 3) 1.81" (46mm) *(SS 304 ONLY)*
- 4) 2.99" (76mm) *(SS 304 ONLY)*
- 5) 3.77" (96mm) *(SS 304 ONLY)*
- 6) Special Custom

Communication

- 1) 4-20mA / 24VDC / Two-wire
- 2) 4-20mA / ~24 VDC / HART two-wire
- 3) 4-20mA / ~ 220 VAC / Four-wire
- 4) RS485 / Modbus

Housing / Safety Grade (3)

- A) Aluminum / IP67
- S) Stainless Steel 304 / IP67

Cable Entry

- N) 1/2 NPT
- M) M20x1.5



Ordering Notes:

- (1) Select the best configuration based on your requirements
- (2) Contact factory for custom process connection
- (3) Select Stainless Steel option if Explosion Proof Enclosure is required